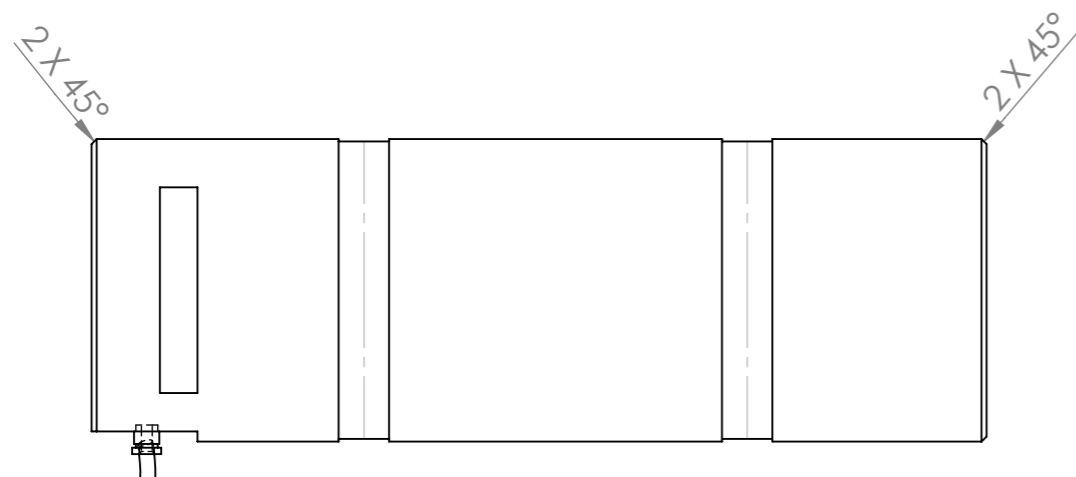
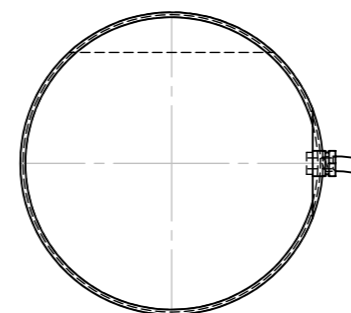
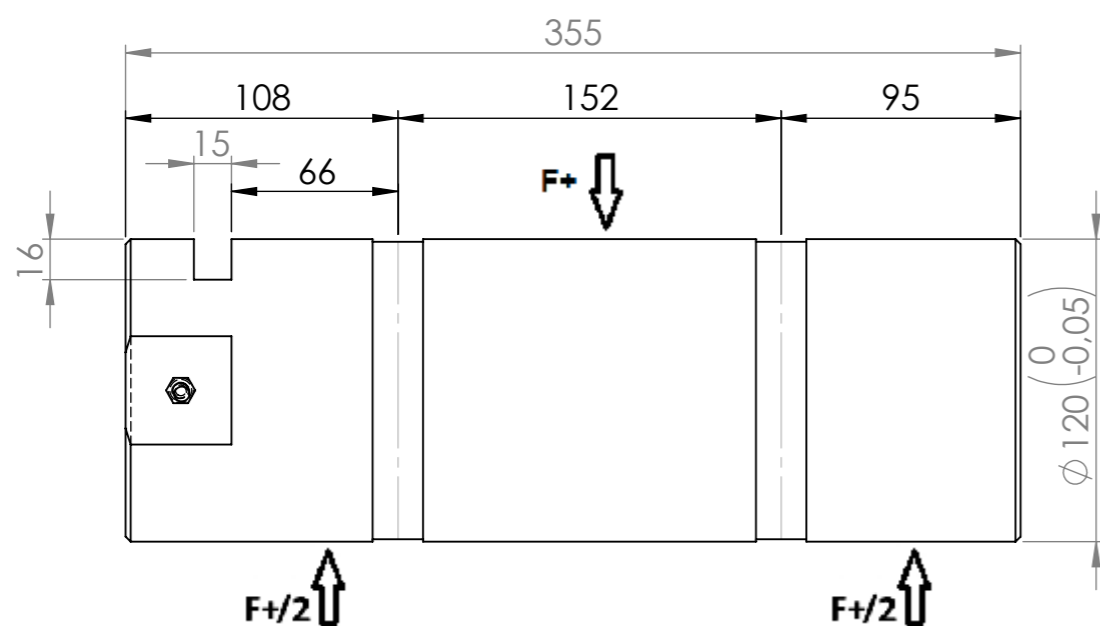
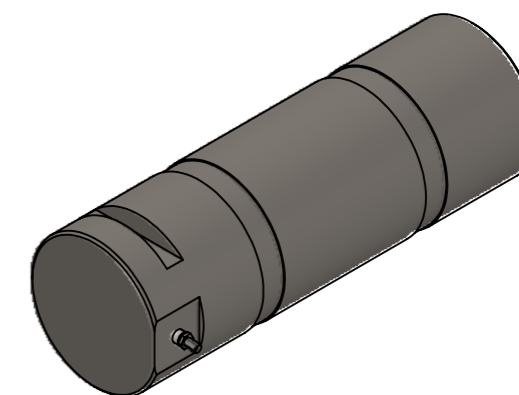


# STAINLESS STEEL PIN 100 †



Article code	PIN Z
Plan number	1197
Description	
Origin Date	06/02/2020
Rev.0	06/02/2020



Electrical connection	
+ IN	GREEN
+ OUT	RED
- IN	BLACK
- OUT	WHITE
SHIELD	

Specifications	
Nominal load (Ln)	100 †
Accuracy Class	0.5 %
Minimum dead load	0 % Ln
Service load	150 % Ln
Ultimate load limit	>400 % Ln
Total error	< $\pm 0.5$ % Sn
Repeatability error	< $\pm 0.2$ % Sn
Temperature effect on zero	< $\pm 0.02$ % Sn/5°C
Temperature effect on sensitivity	< $\pm 0.02$ % Sn/5°C
Creep error (30 min)	< $\pm 0.1$ % Sn
Temperature compensation	-20 to +60 °C
Service temperature limits	-20 to +90 °C
Storage temperature	-40 to +95 °C
Nominal sensitivity	1 $\pm 0.25\%$ mV/V
Excitation voltage	3...15 V
Input impedance	400 $\pm 30$ Ohm
Environmental Protection	IP66
Material	Stainless steel
Cable gland + Shielded cable 4 wires	10 m